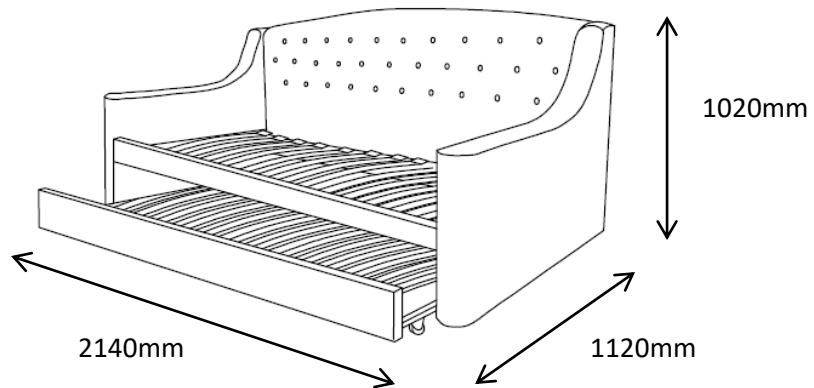


# ASSEMBLY INSTRUCTION

## CONWAY

### DAYBED WITH TRUNDLE

74371

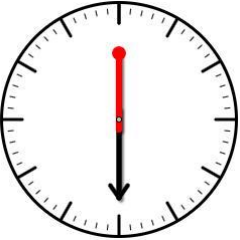
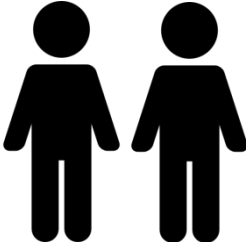



Imported by JWA Furniture Pty Ltd, Qld, Brisbane Australia.  
For any assistance with assembly or for missing parts please refer to your receipt

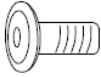
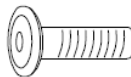
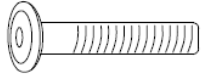
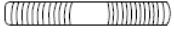

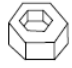


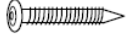

## PRE-ASSEMBLY PREPARATION

### Before you start:

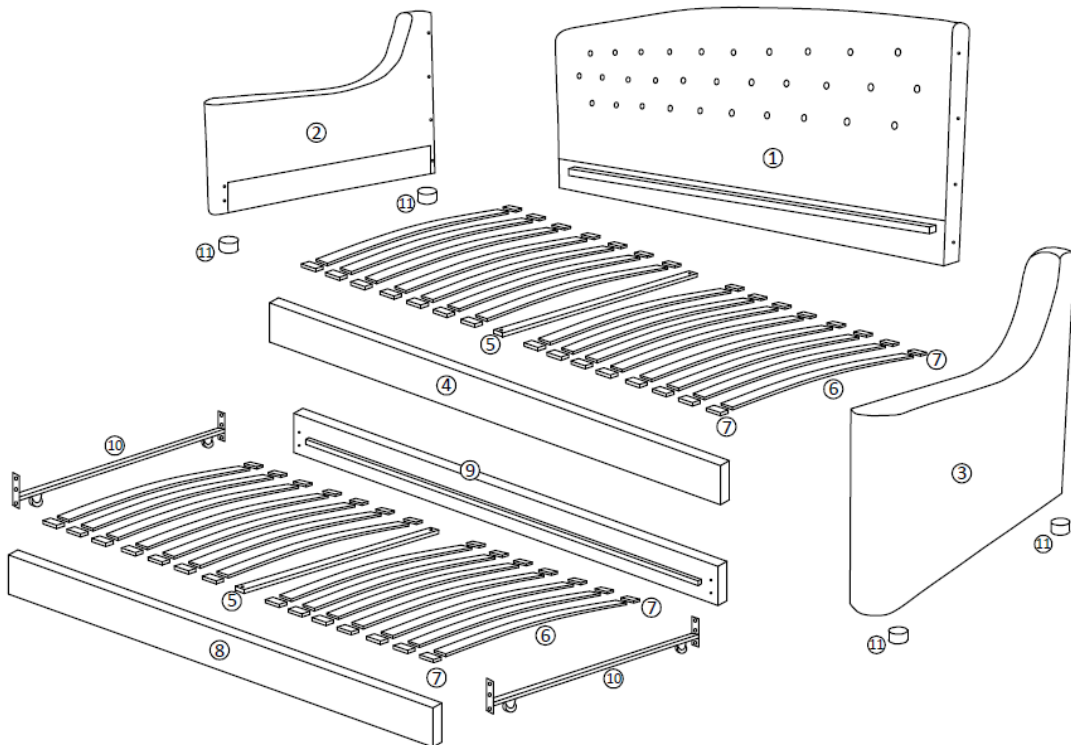
1. Choose a clean, level, spacious assembly area. Avoid hard surfaces that may damage the product
2. Take care when lifting. Product should be assembled as near as possible to the point of use
3. Ensure that you have all required contents for complete assembly
4. Always read the assembly instructions carefully before beginning assembly.
5. Keep all hardware parts and packaging out of reach of small children.
6. Do not over tighten the screws and bolts as this may damage the threads
7. Assembly is to be carried out by a competent adult(s) ONLY
8. During assembly, children should be kept away from the product due to possible risk to injury.
9. Do not use this item if any components are missing or damaged.
10. Please keep the instructions for future reference.

		
Allow 30 min	For 2 person	Additional tools required

# PARTS LIST

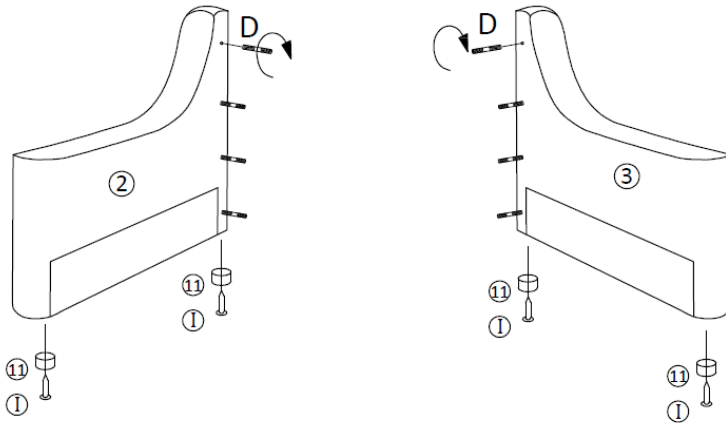
<b>(A)</b> $\frac{5}{16}$ x15mm bolts x 10pcs 	<b>(B)</b> $\frac{5}{16}$ x25mm bolts x 4pcs 	<b>(C)</b> $\frac{5}{16}$ x45mm bolts x 4pcs 	
<b>(D)</b> Threaded rod x 8pcs 	<b>(E)</b> Washer x 30pcs 	<b>(F)</b> Hex nut x 12pcs 	
<b>(G)</b> Allen Key x 1pc 	<b>(H)</b> Spanner x 1pc 	<b>(I)</b> Wood Screw x 4pcs 	<b>(J)</b> Spring Washer x 4pcs 

<b>(1)</b> Headboard x 1pc	<b>(7)</b> Plastic cap x 58pcs
<b>(2)</b> Armrest Left x 1pc	<b>(8)</b> Trundle Siderail (Front) x 1pc
<b>(3)</b> Armrest Right x 1pc	<b>(9)</b> Trundle Siderail (Back) x 1pc
<b>(4)</b> Side rail x 1pc	<b>(10)</b> Trundle Cross Rail x 2pcs
<b>(5)</b> Centre cross rail x 2pcs	<b>(11)</b> Feet x 4pcs
<b>(6)</b> Slats x 29pcs	



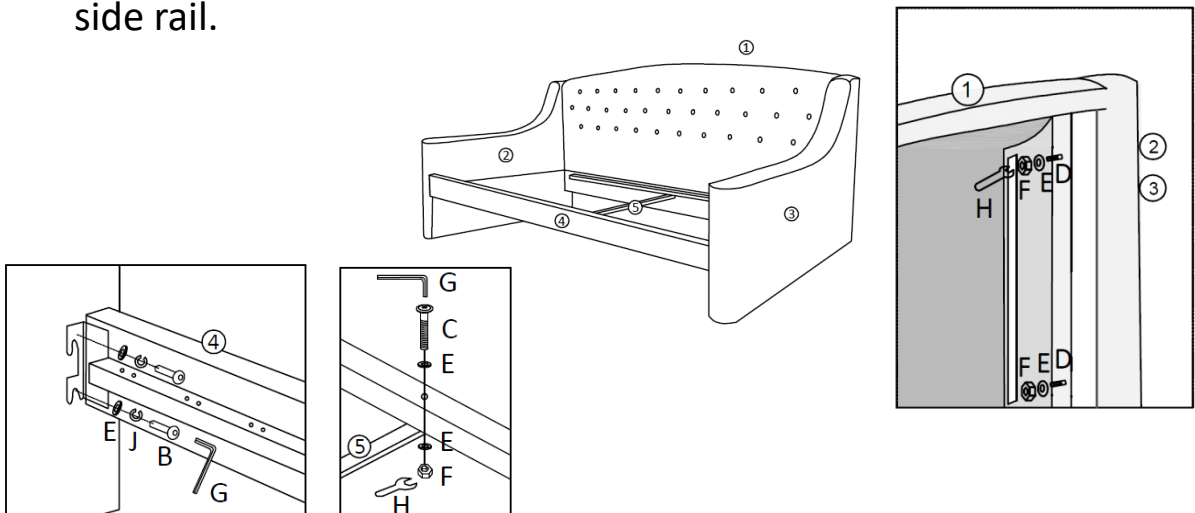
## STEP 1:

- Prepare a protected surface with a blanket or cardboard.
- Attach the 4x Threaded rod(D) to the armrest left(2) and armrest right(3), as shown below. And tighten halfway.
- Attach the 4x feet(11) to the armrest left(2) and armrest right(3). Secure with wood screw(I).



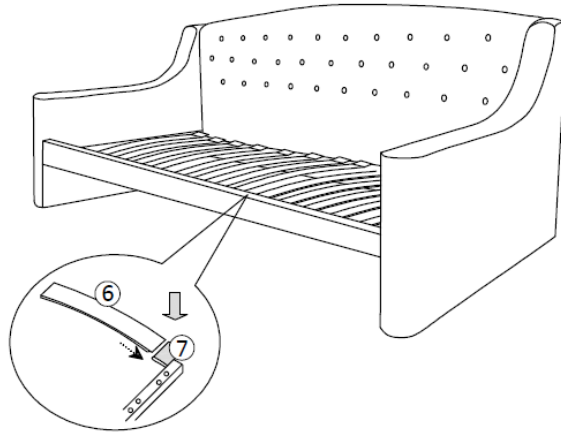
## STEP 2:

- Connect the headboard(1) to the armrest left(2) and armrest right(3). Insert washer(E) per corner. Fasten with hex nut(F).
- Connect the side rail(4) to the armrest left(2) and armrest right(3). Secure with 2x bolt(B), spring washer(J) and washer(E) per corner. Fasten with allen key(G).
- Attach the centre cross rail(5) to the side rail and headboard as shown below. Thread 1x bolt(C), 2x washer(E) per side from the top and below, and lock with Hex nut(F), Repeat for the other side rail.



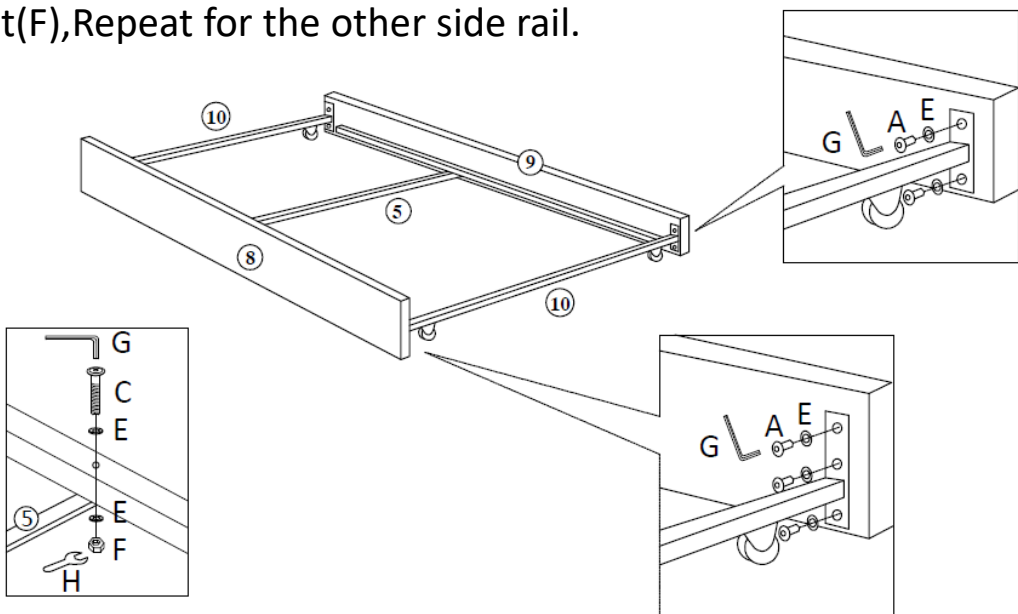
### STEP 3:

- Attach 2x end cap(7) onto every slat(6).
- Attach the slat to the bed as shown below. Push the caps into the holes.



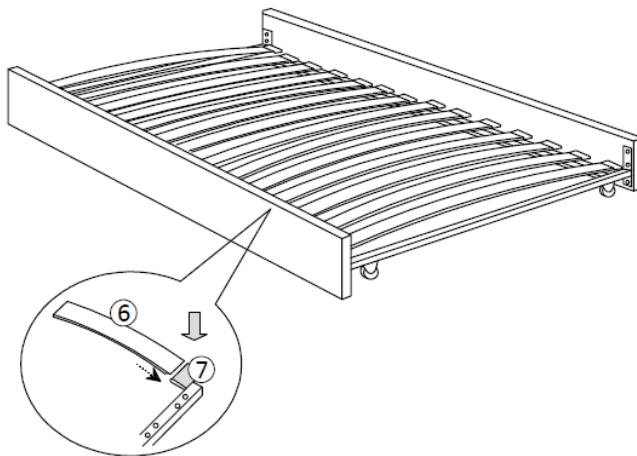
### STEP 4:

- Attach trundle cross rail (10) with 3x bolt (A), washer(E) tighten with allen key(G) to trundle front side rail (8) and with 2x bolt to trundle side rail back (9) as shown below.
- Attach centre cross rail(5) to trundle side rail front (8) and trundle side rail back (9) as shown below. Thread 1x bolt(C),2x washer(E) per side from the top and below, and lock with Hex nut(F),Repeat for the other side rail.



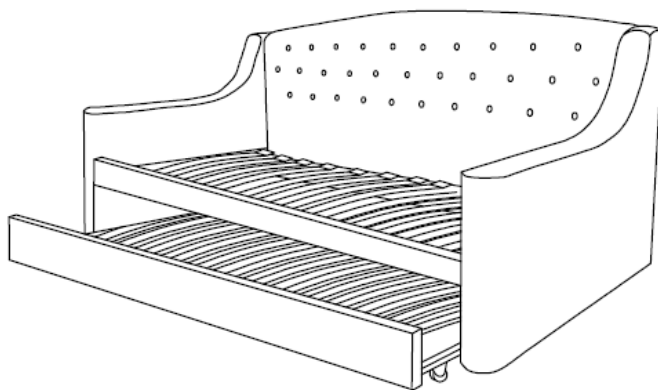
**STEP 5:**

- Attach 2x end cap(7) onto every slat(6).
- Attach the slat to the bed as shown below. Push the caps into the holes.



**STEP 6:**

- Slot in the trundle bed and fixing is complete.



**Assembly Is Complete**

# **PRODUCT CARE:**

## **FURNITURE / BED**

- 1. When assembling your furniture / bed please ensure that you have checked the contents for all relevant parts.**
- 2. When tightening bolts make sure that they are fully tightened but not forced.**
- 3. When moving your fully assembled bed you must first remove the mattress and lift the frame into position, take care when lifting and always have two people handling the bed. PLEASE DO NOT DRAG THE BED as this will cause damage to the rail.**
- 4. It is advisable to use approved cleaning products when cleaning the furniture and bed frame as certain chemical based cleaners could have an adverse effect on the bed finish.**